

Merkel Wiper AUPS

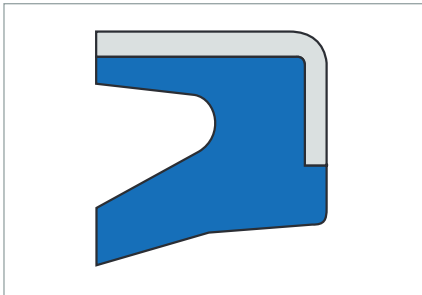


Fig. 1 Merkel Wiper AUPS

Product description

Dirt wiper with metal housing; wiper lip flush with housing.

Product advantages

Single-acting wiper for the protection of cylinders against ingress of dirt; especially also as protective component and sealing component for pivoting bearings, amongst others, in standardised housings according to ISO 6195 Type B

- Secure seating in the housing (press fitting), no rotation with the shaft on pivoting motion
- Re-greasing of pivoting bearings possible without problems; lip opens at low overpressure; old grease can escape
- Low axial housing height, wiper lip not protruding
- Axially open, easy to manufacture housing.

Application

Earth moving equipment, agricultural machinery, loading platforms, pivoting pin seal, industrial vehicle, cranes, support cylinders.

Material

Material	Code	Hardness	Metal housing
Polyurethane	94 AU 925	94 Shore A	unalloyed steel DIN 1624

Operating conditions

Material	94 AU 925
Temperature range in °C	
Hydraulic oils HL, HLP	-30 ... +110
HFA fluids	+5 ... +50
HFB fluids	+5 ... +50
HFC fluids	-30 ... +40
HFD fluids	-
Water	+5 ... +40
HETG (rapeseed oil)	-30 ... +60
HEES (synthetic esters)	-30 ... +80
HEPG (glycol)	-30 ... +40
Mineral greases	-30 ... +110
Running speed v in m/s	2 m/s

Surface quality

Surface roughness	R _a	R _{max}
Sliding surface	0,05 ... 0,3 µm*	≤2,5 µm*
Groove base	≤1,6 µm	≤6,3 µm
Side of groove	≤3,0 µm	≤15,0 µm

percentage contact area Mr>50% up to max 90% at cutting depth c = Rz/2 and reference line C ref = 0%.
* On usage as a wiper, surface roughness of the sliding surface to suit the sealing component used.

Design notes

Please observe our general design notes in → Technical Manual.

Tolerance recommendation

Nominal Ø d	D
30 ... 100	H8

The tolerance for the Ø d is defined by the buffer seal.

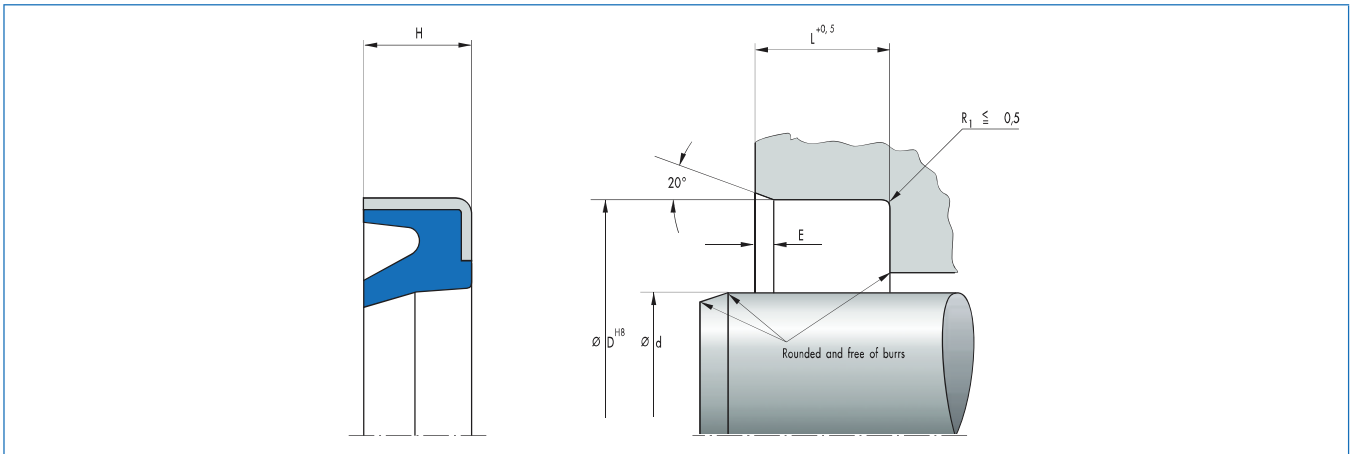
Lead-in chamfers

Length and angle are to be designed to suit the rod seal used.

Fitting & installation

Merkel Wiper AUPS wipers are pressed into axially open housings. Careful fitting is a prerequisite for the correct function of the wiper. → Technical Manual.

Article list



d	D	H / L	C	Housing	Material	Article No.	
35	45	7	0,7		94 AU P00925	522243	●
40	50	7	1	ISO	94 AU P00925	522244	●
45	55	7	0,8	ISO	94 AU P00925	522248	●
50	60	7	0,7	ISO	94 AU P00925	522249	●
70	80	7	1	ISO	94 AU P00925	522250	●
80	90	7	0,7	ISO	94 AU P00925	522251	●
90	100	7	1		94 AU P00925	49003160	●

● Available from stock ○ On request: Tool is available, delivery at short notice

